



# SmartBright Slim Panel

## RC091V LED36S/865 PSU W60L60 PCV GM

SmartBright Slim Panel provides the most affordable LED solution to replace TL troffer. Its slim design (height of luminaire only 10mm) and multiple mounting options cater various applications (including plastic ceiling). As an edge light architecture, SlimBright Slim Panel delivers comfortable light with Excellent uniformity.

### Product data

General Information	
Beam angle of light source	- °
Light source color	865 cool daylight
Light source replaceable	No
Number of gear units	1 unit
Driver/power unit/transformer	-
Driver included	Yes
Optic type	Wide beam
Luminaire light beam spread	120°
Control interface	-
Connection	Internal connector
Cable	-
Protection class IEC	Safety class II
Glow-wire test	Temperature 650 °C, duration 30 s
Flammability mark	-
CE mark	CE mark
ENEC mark	-
Warranty period	3 years
Constant light output	No
Number of products on MCB of 16 A type B	50

RoHS mark	-
Operating and Electrical	
Input Voltage	220/240 V
Input Frequency	50 to 60 Hz
Inrush current	8.1 A
Inrush time	100 ms
Power Factor (Min)	0.9

Controls and Dimming	
Dimmable	No

Mechanical and Housing	
Housing Material	Metal
Reflector material	-
Optic material	Polystyrene
Optical cover/lens material	Polystyrene
Fixation material	Steel
Optical cover/lens finish	Opal
Overall length	597 mm

## SmartBright Slim Panel

Overall width	597 mm
Overall height	41 mm
Color	White

### Approval and Application

Ingress protection code	IP20 [ Finger-protected]
Mech. impact protection code	IK02 [ 0.2 J standard]

### Initial Performance (IEC Compliant)

Initial luminous flux (system flux)	3600 lm
Luminous flux tolerance	+/-10%
Initial LED luminaire efficacy	80 lm/W
Init. Corr. Color Temperature	6500 K
Init. Color Rendering Index	>80
Initial chromaticity	(0.43, 0.40) SDCM>5
Initial input power	45 W
Power consumption tolerance	+/-10%

### Over Time Performance (IEC Compliant)

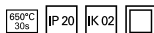
Median useful life L70B50	25000 h
---------------------------	---------

### Application Conditions

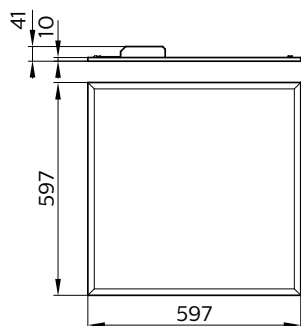
Ambient temperature range	-10 to +35 °C
Maximum dim level	Not applicable
Suitable for random switching	Not applicable

### Product Data

Full product code	871016331322100
Order product name	RC091V LED365/865 PSU W60L60 PCV GM
EAN/UPC - Product	8710163313221
Order code	911401847097
Numerator - Quantity Per Pack	1
Numerator - Packs per outer box	4
Material Nr. (12NC)	911401847097
Net Weight (Piece)	2.174 kg



## Dimensional drawing



RC091V LED26S/LED36S PSU

